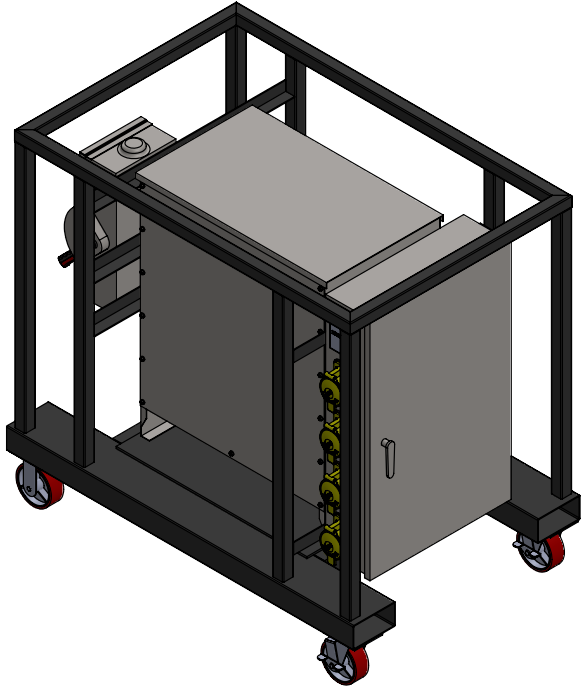


TRANSFORMER CART - PORTABLE POWER

STEEL FRAME PORTABLE TRANSFORMER CARTS



OVERVIEW

Power Assemblies has developed a sleek, powerful line of Portable Transformer Carts. These Transformer Carts are constructed of heavy duty steel, rugged casters, and coated with ArmorTEK for long lasting protection. Transformers come in single phase and three phase arrangements. Primary side is protected with a fusible disconnect. The secondary side consists of a single main panel board with various outlets. Units contain two straight and two swivel heavy duty casters for easy moving.

Features and Benefits



1-1/2" basis of design steel frame with ArmorTEK coating



Equipment ANSI-61 gray powder coated 0.075 carbon steel for long life and corrosion resistance



Industry standard NEMA and non-NEMA locking devices standard on all secondary panel boards to do the job you need



All components are UL listed



20 amp circuits are GFI circuits for maximum protection



NEMA 3R rated with foam gasket for wind-driven rain applications

Industries and Applications



GENERATOR CONNECTIONS



CONSTRUCTION JOB SITES



PORTABLE POWER

PART NUMBER SELECTOR

SINGLE PHASE OPTIONS

Part Number	Phase	KVA	PRI	SEC	INPUT	OUTPUT
TC-1P25A3	1	25	480	120/240	60A PIN & SLEEVE	(2)CS8269, (2)L6-30R, (4)20A DUPLEX
TC-1P50A3	1	50	480	120/240	SERIES 15 CAMS	(6)CS8269, (4)L6-30R, (2)20A DUPLEX

THREE PHASE OPTIONS

Part Number	Phase	KVA	PRI	SEC	INPUT	OUTPUT
TC-3P15A3	3	15	480	120/208	20A NEMA LOCKING	(2)L6-30R, (6)20A DUPLEX
TC-3P30A3	3	30	480	120/208	50A CA STYLE	(2)CS6369, (2)L6-30R, (6)20A DUPLEX
TC-3P45A3	3	45	480	120/208	60A PIN & SLEEVE	(4)CS6369, (2)L6-30R, (4)20A DUPLEX
TC-3P75A3	3	75	480	120/208	100A PIN & SLEEVE	(6)CS6369, (4)L6-30R, (2)20A DUPLEX



Power Assemblies, LLC
(702)-364-6264
7575 W. Sunset Rd. Suite 140
Las Vegas, NV 89113



INFO@POWERASSEMBLIES.COM



WWW.POWERASSEMBLIES.COM