



INNOVATIVE POWER SOLUTIONS

CABLE ASSEMBLIES

POWER DISTRIBUTION

CONTROLS

WWW.POWERASSEMBLIES.COM

• LAS VEGAS, NV • BEND, OR • POMPANO BEACH, FL •

QUAD STRINGERS

PRODUCT SPECIFICATIONS

OVERVIEW

Quad Stringers from Power Assemblies are high quality, heavy duty, and essential to your job site. These strings come in 50 foot lengths with options to fit your needs.

Note: Standard (Black) and Wetguard (Yellow) Options Available; 5-20R GFCI Available



CHEMICAL RESISTANT



ABRASION RESISTANT



WETGUARD OPTIONS

DURABLE CABLE



PORTABLE & TEMPORARY POWER



FLORIDA
(866)825-8525
SALES@POWERASSEMBLIES.COM
POWERASSEMBLIES.COM



LAS VEGAS
(877)597-5787
SALES@POWERASSEMBLIES.COM
POWERASSEMBLIES.COM



CABLE SPECIFICATIONS

SJOOW/SOOW

TECHNICAL DATA

Temperature Rating: 105 °C

Voltage: 600V

AWG: 10, 12, 14, 16, 18

Conductors: 2, 3, 4, 5

APPLICATIONS

Portable Tools & Equipment

Motor Leads

OEM/MRO Applications

Construction Site Power

Water Immersion Applications



CHEMICAL & ACID RESISTANT



TENSILE STRENGTH



EXTRA-FLEXIBLE STRANDING



UV RESISTANT



IMMERSION CAPABILITIES



ABRASION RESISTANT



MOISTURE & OIL RESISTANT



FLORIDA
(866)825-8525
SALES@POWERASSEMBLIES.COM
POWERASSEMBLIES.COM



LAS VEGAS
(877)597-5787
SALES@POWERASSEMBLIES.COM
POWERASSEMBLIES.COM



COMPONENT SPECIFICATIONS

NEMA PLUG & CONNECTOR



INNOVATIVE
INTERLOCKING



WEATHER
RESISTANT



INDUSTRIAL
GRADE



IMPACT
RESISTANT



CORROSION
RESISTANT



VARIOUS
CONFIGURATIONS

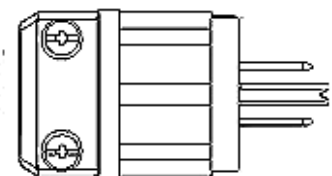
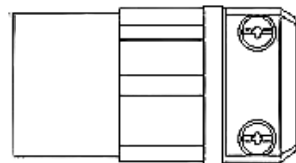


TECHNICAL DATA

Type: Straight Blade
AWG: #18-#10
Amperage Rating: 15A/Contact
Voltage Rating: 125V
Temperature Rating: 60°C

MATERIAL

Body: Modified Nylon
Contacts: Brass



FLORIDA
(866)825-8525
SALES@POWERASSEMBLIES.COM
POWERASSEMBLIES.COM



LAS VEGAS
(877)597-5787
SALES@POWERASSEMBLIES.COM
POWERASSEMBLIES.COM



COMPONENT SPECIFICATIONS

WETGUARD NEMA PLUG & CONNECTOR



INNOVATIVE
INTERLOCKING



WEATHER
RESISTANT



INDUSTRIAL
GRADE



IMPACT
RESISTANT



CORROSION
RESISTANT



WATERTIGHT

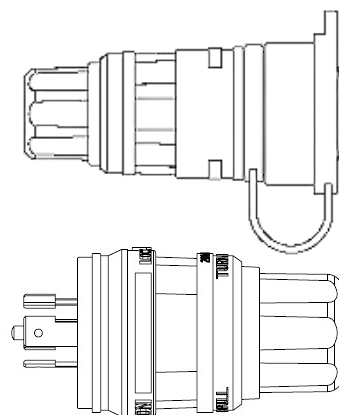


TECHNICAL DATA

Type: Straight Blade
AWG: #16-#10
Amperage Rating: 20A/Contact
Voltage Rating: 120/208V
Poles: 4P5W
Temperature Rating: 60°C

MATERIAL

Contacts: Nickel-Plated Brass
Body Interior: Nylon
Body: EPTR Rubber
Strain Relief: Nylon



FLORIDA
(866)825-8525
SALES@POWERASSEMBLIES.COM
POWERASSEMBLIES.COM



LAS VEGAS
(877)597-5787
SALES@POWERASSEMBLIES.COM
POWERASSEMBLIES.COM



COMPONENT SPECIFICATIONS

HOUSED DUPLEX RECEPTACLE OUTLET



VARIOUS CONFIGURATIONS



WEATHER RESISTANT LID



INDUSTRIAL GRADE



HEAT RESISTANT



HARSH CONDITION WITHSTANDING



CHEMICAL RESISTANT



ADJUSTABLE STRAIN RELIEF

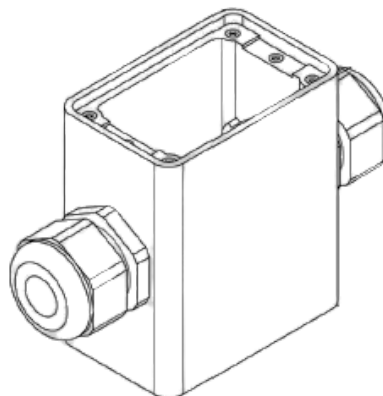


TECHNICAL DATA

Type: Duplex Receptacle
NEMA 5-20R
Amperage Rating: 20A
Voltage Rating: 125V
Poles: 2P3W, Self Grounding
Max Temperature Rating: 30°C

MATERIAL

Housing: Santoprene TPV
Contacts: Brass Triple-Wipe
Ground: Brass
Body: Thermoplastic Nylon
Strain Relief: Nylon



FLORIDA
(866)825-8525
SALES@POWERASSEMBLIES.COM
POWERASSEMBLIES.COM



LAS VEGAS
(877)597-5787
SALES@POWERASSEMBLIES.COM
POWERASSEMBLIES.COM

