

Single Pole Cam-Type Connectors

15, 16 & 18 Series: For applications up to 400A, 600V AC/DC

rhino-hide[®]

**UL/CSA 1691
Compliant
Devices**



Overview



Rhino-Hide Single Pole Cam-Type Connectors from Leviton supply temporary electrical power distribution for multiple indoor and outdoor applications.

Features and Benefits

- Plugs are available in set screw or crimp tube termination, taper nose and ball nose configurations
- Intermateable and compatible with competitive cam-type products — can be retrofitted to existing locations and power distribution systems
- Shatter and crack proof – high durometer thermoplastic vulcanizate (TPV) or neoprene rubber
- Color-coded insulating sleeves provide fast and easy phase identification
- Self compensating for wear – slit in male contact provides spring action for longer usage
- Quick connect/disconnect
- High conductivity – positive, vibration-proof connection provided by cam design
- Wide range of applications – usable with a wide range of cable and amperage ratings
- Meets NEC requirements and is UL Listed and CSA Certified; NEMA 3R-Rated for use in outside locations

Experience the Difference

Rhino-Hide Single Pole Cam-Type Connectors are designed for easy assembly and disassembly without special tools. A thermoplastic screw is used to tightly secure the contact inside the insulating sleeve, making assembly, disassembly and field repairs effortless. The plugs use plastic locking and reinforcement rings molded into insulating sleeves and receptacles ensuring the integrity of the connection. Under severe stress and load conditions, these rings will not melt, break or crack.



Ordering Information

16 Series: Single or Double Set Screw or Crimp Tube Termination **NEMA 3R Rated for Outdoor Use**



CAM-TYPE PANEL MOUNT RECEPTACLE

Cable Size: 2/0 - 4/0 Max Ampacity: 400A	Double Set Screw Termination ™ ®			
	Male, 90°	Female, 90°	Male, 45°	Female, 45°
	16R21-U*	16R22-U*	16R27-U*	16R28-U*
Cable Size: #2 - 4/0 Max Ampacity: 400A	.75" L Threaded Stud** Termination ™ ®			
	Male, 90°	Female, 90°	w/microwitch	Male, 45°
	16R23-U*	16R24-U*	16RSW-U*	16R29-U*
Cable Size: #2 - 4/0 Max Ampacity: 400A	1.125" L Threaded Stud** Termination ™ ®			
	Male, 90°	Female, 90°	Self-Clinching Nut	
	16R23-1U*	16R24-1U*	16R25-1U*	16R26-1U*
Cable Size: #2 - 4/0 Max Ampacity: 400A	Half Round w/Tapped Hole ™ ®			
	Male, 90°		Female, 90°	
	16R19-U*		16R20-U*	

Replace * with the following: W (White), E (Black), H (Brown), R (Red), B (Blue), O (Orange), G (Green), Y (Yellow).

**Threaded stud termination type receptacles are available with custom stud lengths, from .75" L to 3.00" L.

Please contact your local sales representative for ordering information and availability.

TERMINAL CONNECTORS

Cable Size: #2 - 4/0 Max Ampacity: 400A	Bus Bar Mount ™ ®		
	Male Angle	Female Angle	Offset
	16M21-2U*	16F21-U*	16F22-U*

Replace * with the following: W (White), E (Black), H (Brown), R (Red), B (Blue), O (Orange), G (Green), Y (Yellow).

COVERS

	Enclosure Male/Female	Caps	
		Male	Female
	16S31-U*	16P21-U*	16P22-U*

Replace * with the following: W (White), E (Black), H (Brown), R (Red), B (Blue), O (Orange), G (Green), Y (Yellow), CL (Clear).

CAM-TYPE ADAPTERS

Max Ampacity: 400A	Paralleling Tee ™ ®	Tapping Tee ™ ®	3-Fer ™ ®	Reverse 3-Fer ™ ®
	F-M-M	F-F-M	M-F-F-F	F-M-M-M
	16A21-U*	16A22-U*	16A23-U*	16A26-U*
Max Ampacity: 400A	Double Male ™ ®		Double Female ™ ®	
	16A25-U*		16A24-U*	

Replace * with the following: W (White), E (Black), H (Brown), R (Red), B (Blue), O (Orange), G (Green), Y (Yellow).

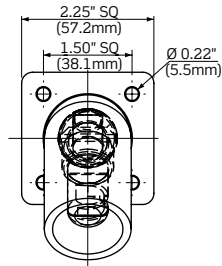
Assembled Adapters Cable Size: 4/0 Max Ampacity: 400A	Paralleling Tee ™ ®	Tapping Tee ™ ®	3-Fer ™ ®	Reverse 3-Fer ™ ®
	F-M-M	F-M-F	M-F-F-F	F-M-M-M
	16A31-U*	16A32-U*	16A33-U*	16A36-U*

Replace * with the following: W (White), E (Black), R (Red), B (Blue), G (Green).

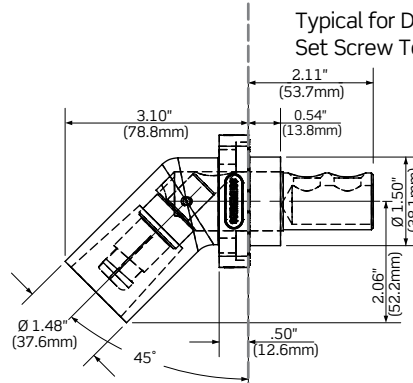
Note: Some items may require extended lead times; always consult with your local sales representative for current availability.

16 Series Devices

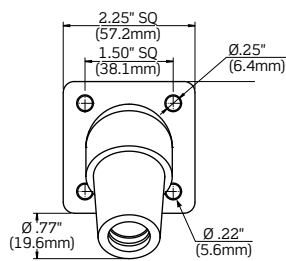
Typical Front for
45° Male Panel Receptacle



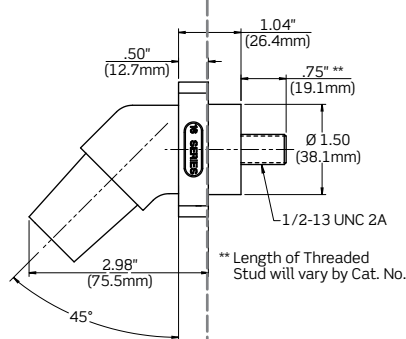
Typical for Double
Set Screw Termination



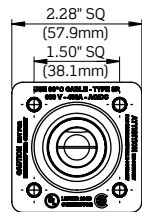
Typical Front for
45° Female Panel Receptacle



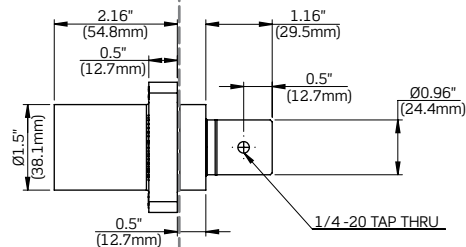
Typical for Threaded
Stud Termination



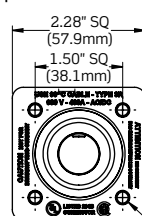
Typical Front for
Male Panel Receptacle



Typical for Bus Bar
Termination (Top View)



Typical Front for Female Panel
Receptacle with PEM Nuts



Typical for Bus Bar
Termination (Side View)

